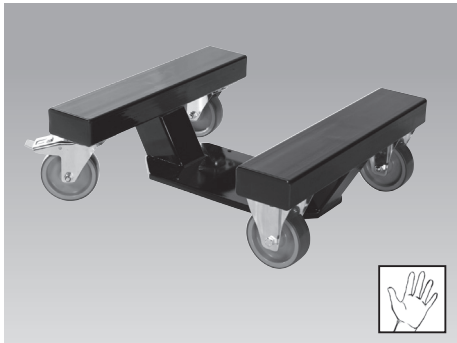


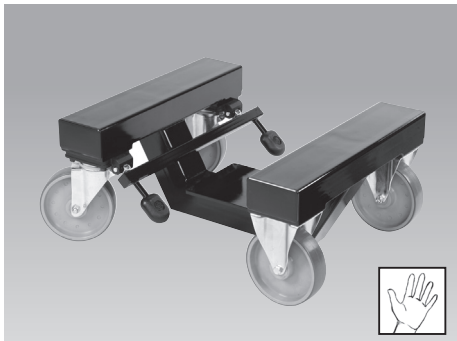


## Cart Modules WMS

max. load 2,000 to 6,000N



**WMS 200:** maximum load 2,000N



**WMS 600:** maximum load 6,000N

### Application

Cart modules are used to accommodate customer workpieces or fixtures as well as ROEMHELD lifting modules.

Cart modules can be combined with lifting modules and other accessories to stable lifting carts or mobile assembly working places. The stable design with low centre of gravity allows assembly and other works directly on the lifting cart. This eliminates the need of loading and unloading components, which reduces the risk of damage and leads to the relief of the worker. Significant time savings as well as increasing ergonomics are achieved.

The massive design with large rollers improves the handling and thus increases the value of the entire production; motivated employees are the result.

### Principal use

- Material supply
- Production plants in industry
- Test area for quality assurance
- Logistics
- Mobile assembly working places for max. load up to 600 kg
- Accommodation of customer workpieces or fixtures as well as ROEMHELD lifting modules

### Advantages

- Stable standing due to low centre of gravity
- Suitable for workshop setups
- Easily combinable with *moduhub* lifting modules
- Best drivability due to large and high-quality rollers
- Low driving resistance even with high loads
- Parking brake with foot pedal operation
- Fixed rollers and steering rollers
- Good accessibility by compact design increases the value of the entire production
- Time savings by optimised ergonomics
- Easy operation motivates the employees
- Assembly works can be made directly on the cart module thanks to stable and safe design

### Description

The cart modules WMS are offered for two different loads, max. load 2,000 N or 6,000 N.

The cart modules WMS consist of a welded sturdy steel frame with two fixed rollers and two or four steering rollers. For the load 6,000 N, two steering rollers are equipped with a coupled parking brake and can be operated from both sides by a foot pedal.

The parking brakes of the steering rollers for the load 2,000 N are individually operated. Variants with push handle are also available.

### Material

Frame: steel, black-lacquered  
 Tires: PUR

### Fixing of the built-on parts

A 200 x 200 *moduhub* interface with 4 M10 threads is provided in the middle of the steel frame.

### Important note!

Cart modules must only be moved with lowered load at walking pace.

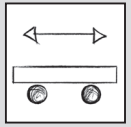
Due to stability reasons, only centre load of the cart modules is admitted.

Cart modules with special dimensions and larger base are available as special versions, on request.

### *moduhub*

#### Cart module WMS

Part no. 89000XXXX



#### Technical data

Max. load  
 WMS 200: 2,000 N  
 WMS 600: 6,000 N

#### Operations

- manual



#### Combinable with the modules

- Lifting modules as per data sheet M4.XXX



#### *moduhub* interface

- 200 x 200 - M10

#### Accessories

- Table plate with handle as per data sheet M 8.130

### Application example

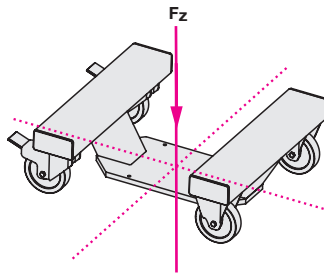


Lifting carts consisting of cart module as per M 5.101, lifting module as per M 4.301 and table plate as per M 8.130.

# Technical data Dimensions

## Maximum admissible load $F_z$

WMS 200:  $F_z = 2,000\text{ N}$   
WMS 600:  $F_z = 6,000\text{ N}$



## Part numbers:

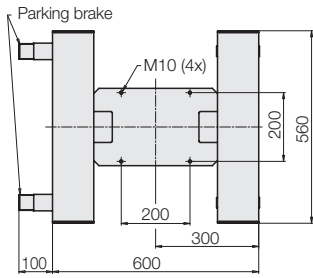
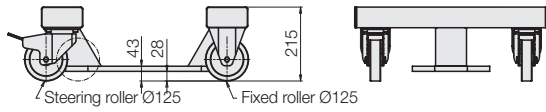
**WMS 200:** 89000201S  
89000201L  
8900020GS

**WMS 600:** 89000611S  
89000611L  
89000601S  
8900060GS

## Dimensions

### WMS 200 89000201S

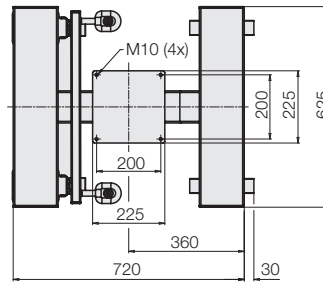
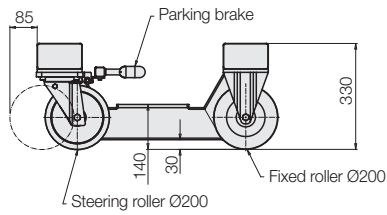
Max. load 2000N  
with 2 fixed rollers and 2 steering rollers



Weight = 30 kg

### WMS 600 89000611S

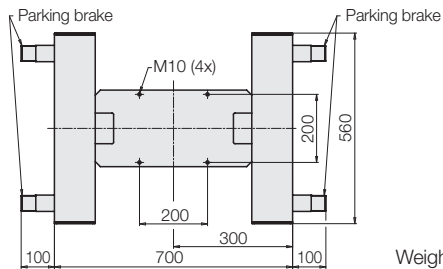
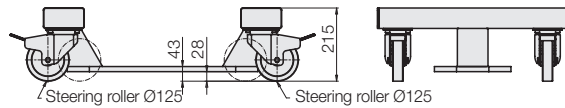
Max. load 6000N  
with 2 fixed rollers and 2 steering rollers



Weight = 47 kg

### WMS 200 89000201L

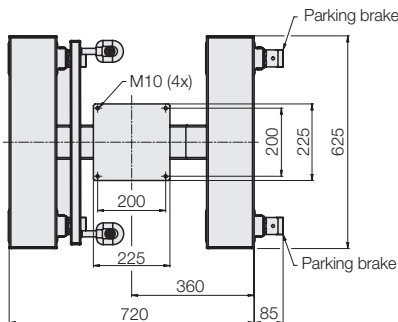
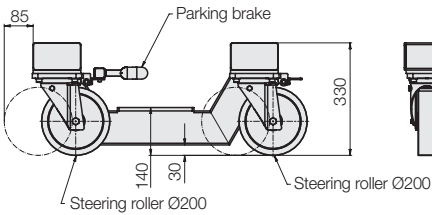
Max. load 2000N  
With 4 steering rollers



Weight = 35 kg

### WMS 600 89000611L

Max. load 6000N  
With 4 steering rollers



Weight = 49 kg

# Technical data Dimensions

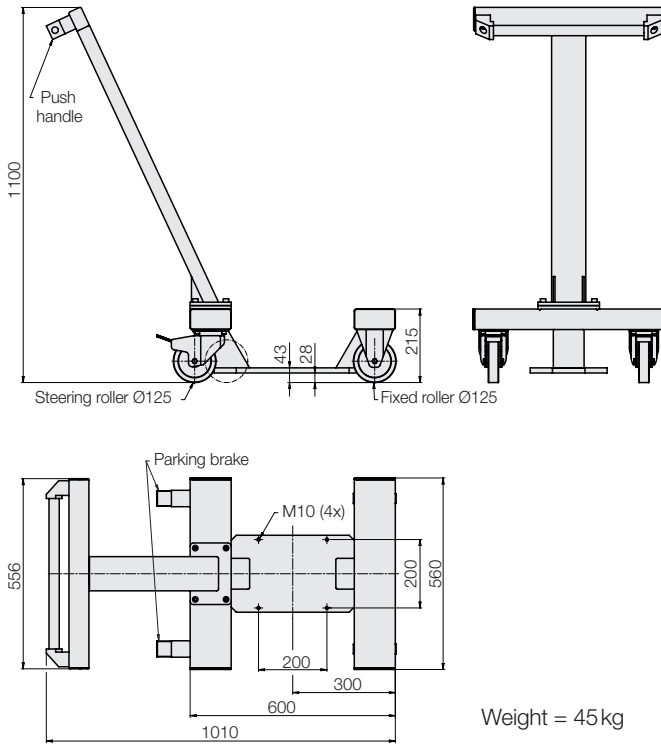
## Dimensions

### WMS 200

#### 8900020GS

Max. load 2000N

With 2 fixed rollers and 2 steering rollers and 1 push handle



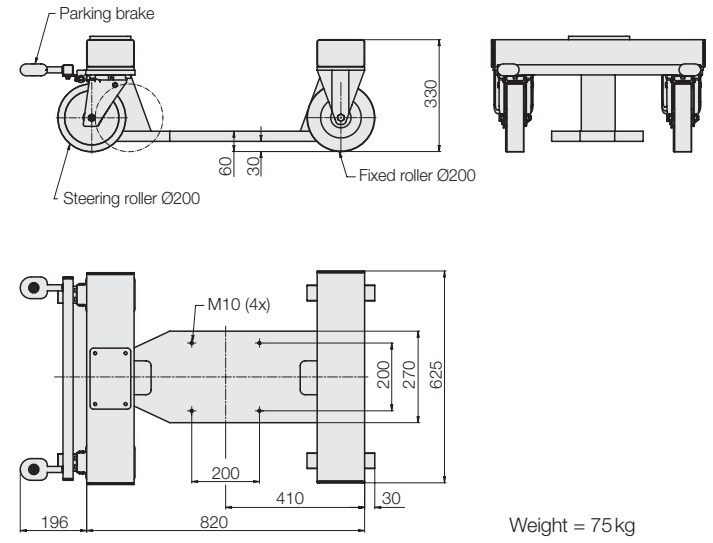
### WMS 600

#### 89000601S

Max. load 6000N

Flat design

with 2 fixed rollers and 2 steering rollers



## Accessories

- Table plates made of wood or steel

See data sheet M 8.130

### WMS 600

#### 8900060GS

Max. load 6000N

Flat design

With 2 fixed rollers and 2 steering rollers and 1 push handle

