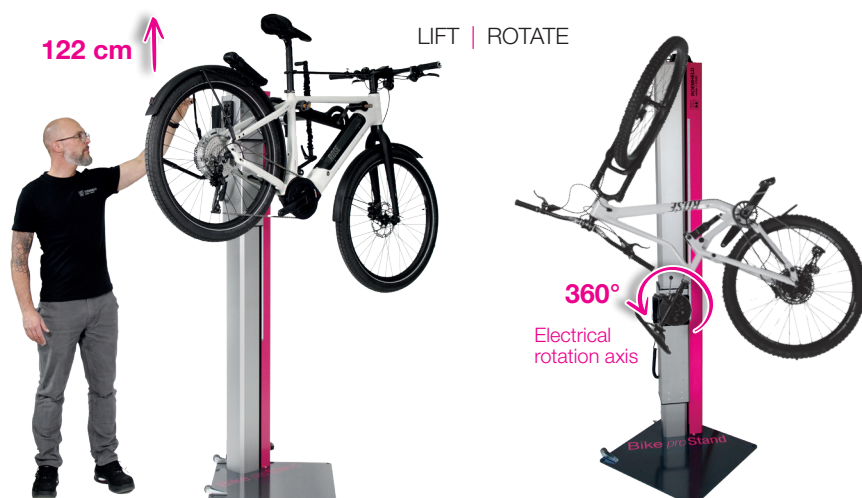




Bike proStand

Stationary assembly fixture for bicycles, cargo bikes and e-bikes electrically operated



Application

Bike proStand is a stationary, electrically operated assembly fixture for bicycles, cargo bikes and e-bikes weighing up to 40 kg. Without an electrical rotation axis it can accommodate up to 80 kg.

Advantages

- Picking up and setting down all types of bicycles from the ground with a 1225 mm electrical stroke and 360° electrical rotation axis
- Universal use due to interchangeable clamping pick-ups
- Safe working due to design according to EC Machinery Directive
- Collision shutdown
- Ergonomic working through best accessibility thanks to force-free rotation of the bicycle with electrical rotation axis
- Play-free guidance
- 15,000 cycles durability tested

Description

Due to the sturdy, industrial quality design **Bike proStand** can be used for both assembly and repair.

The lifting and rotation axis are electrically operated. Both axes are operated with a common hand panel.

Since both axes are self-locking, each set position is held securely.

The large stroke of 1225 mm makes it possible to lift the bicycles from the ground and bring them to an optimal assembly height. The rotation axis allows endless rotation at any height. The lifting axis has a shutdown function if a collision occurs during lowering.

Operation

Operation is via a hand panel that actuates the functions "Up/Down" and "Rotate left/Rotate right" ("Up/Down" only with 6401 205).

There is a holder on the slide for hanging the hand panel.

Note

Mounting to the ground

The assembly fixture must be screwed to the floor, wall or ceiling in order to comply with the CE certification (min. concrete strength class C 20/25).

With larger base plates (available on request), the assembly fixture can also be used free-standing.

Alternatively, the **Bike proStand** can be fixed with the wall and ceiling mounting set. In harsh environmental conditions, however, it is always advisable to attach it to the floor.

Transport rollers

The base plate is equipped with 2 transport rollers for moving the **Bike proStand**.

The transport rollers can simply be unscrewed after installation.

Versions

- with lifting and rotation axis: up to 40 kg
- with lifting axis (without rotation axis): up to 80 kg

Accessories as per data sheet M 8.902

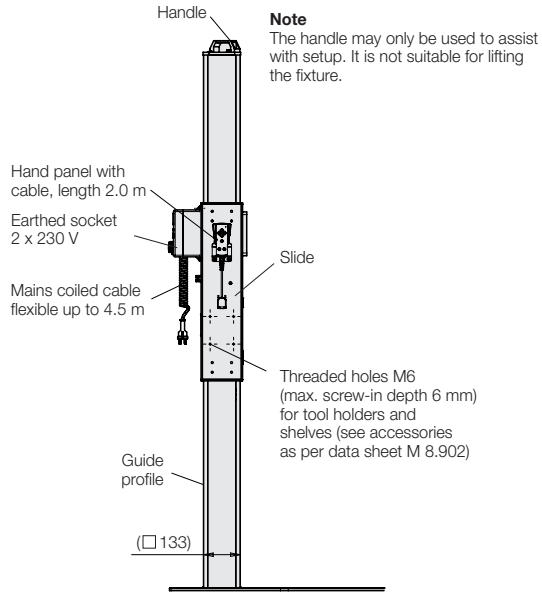
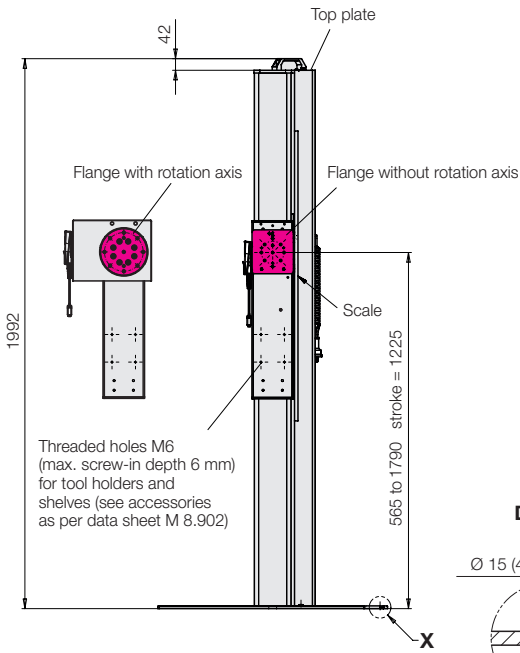
- Clamping pick-ups
- Holders and shelves
- Wall/ceiling mount

Accessories on request

- Larger base plates
- Special clamping and mounting fixtures

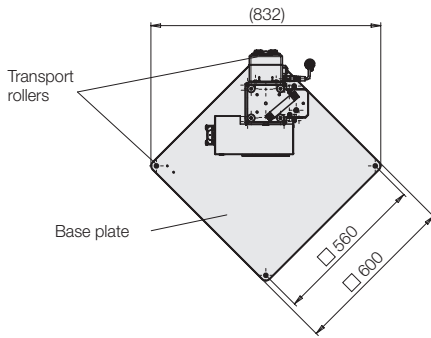
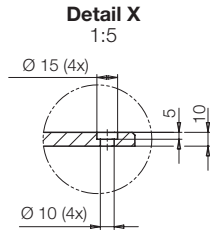
Dimensions Technical Data

Dimensions

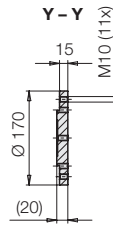
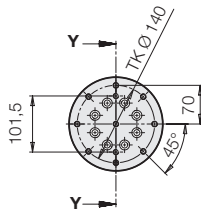


Note

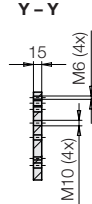
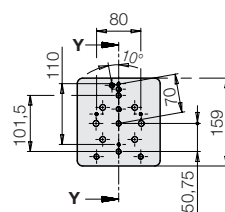
The handle may only be used to assist with setup. It is not suitable for lifting the fixture.



Flange with rotation axis



Flange without rotation axis



With internal threads for screwing on the universal fixture for clamping claws and 3-point pick-up.
See accessories as per data sheet M 8.902

With internal threads for direct screwing on clamping claws with flange.
See accessories as per data sheet M 8.902

Technical data

	With rotation axis	Without rotation axis
Max. bicycle weight [kg]	40	80
Maximum permissible force application by operators [N]	250	
Lifting drive	Electrically driven trapezoidal spindle	
Stroke [mm]	1225	
Lifting speed (load-dependent) [mm/s]	40 – 60	
Rotating drive	Electrically driven worm gear	–
Rotation angle [°]	360° – infinite	–
Indexing angle [°]	Self-retaining in any position	–
Number of revolutions [r.p.m.]	3	–
Max. driving torque of rotation axis [Nm]	90	–
Max. bending moment [Nm]	275	
Operating element	Hand panel	
Safety concept	Moving by touch control with self-locking drive elements and collision shutdown (lifting axis only)	
Supply voltage	230 V 1P / 50 Hz (16 A fused)	
Max. relative cycle time	33 sec. on / 5 min. break	
Part no.	6401 206	6401 205

Note

Exceeding the duty cycle or driving with an overload will damage the gearbox.