



**Accessories for Bicycle Assembly Fixtures**

**Mounting brackets, holders, shelves, central locking device and adapter brackets**

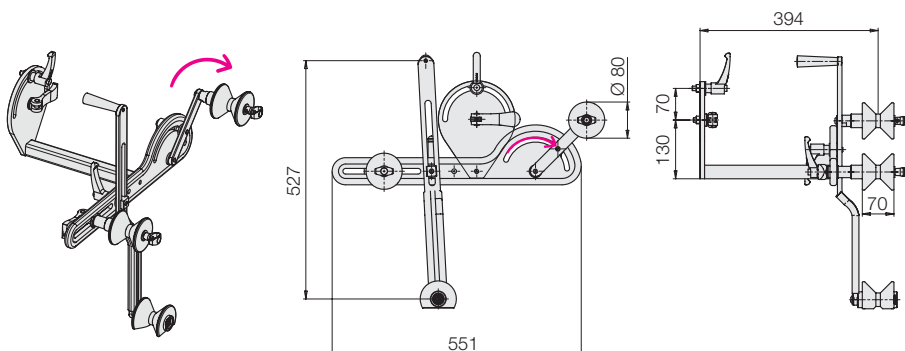
Bike *basicLift* / Bike *proStand*

**3-point pick-up with self-tensioning system**

The 3-point pick-ups accommodate bicycles with a wide variety of frame shapes on the assembly fixtures. Due to the large distances between the pick-up points, the forces at the support points are reduced and paint and sensitive materials are protected. Special attention was paid to edge and impact protection, a stable design and easy access.

The sliding guide enables the bicycle weight to press the mandrel (Ø 80) forward, supporting the tensioning of the bicycle.

The pick-up is suitable for a bicycle weight of up to 40 kg.

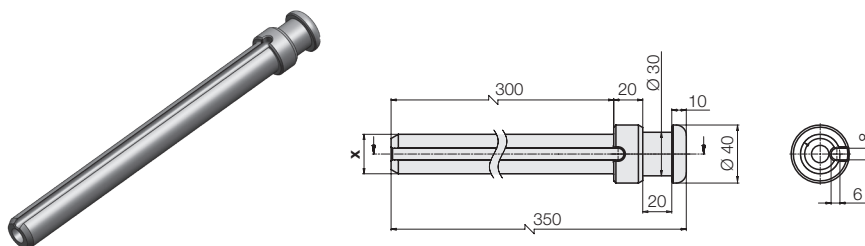


**Part no. 6401 176**

Bike *proMobil*

**Mandrels**

Mandrels are suitable for clamping bicycles without touching the paint. The mandrel also has a groove to route cables of the electric circuit or the cable of drop posts even when unclamped. Almost all frames can be picked up using adapter sleeves provided by the customer. For exotic or aeroprofiles, special shapes can be supplied on request.



Mandrel x = Ø 27.2 mm

**Part no. 6314 178**

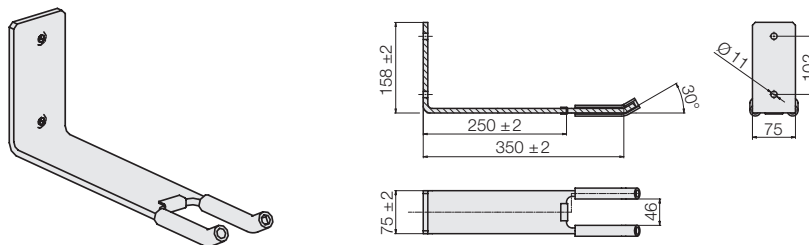
Mandrel x = Ø 30.9 mm

**Part no. 6314 489**

Bike *basicLift* / Bike *proStand*

**Quick Check pick-up**

The Quick Check pick-up picks up bicycles by the saddle, so – without further adjustment – bicycles up to 18 kg can be lifted (special variants for bicycles weighing up to 40 kg available on request).



**Part no. 6401 153**

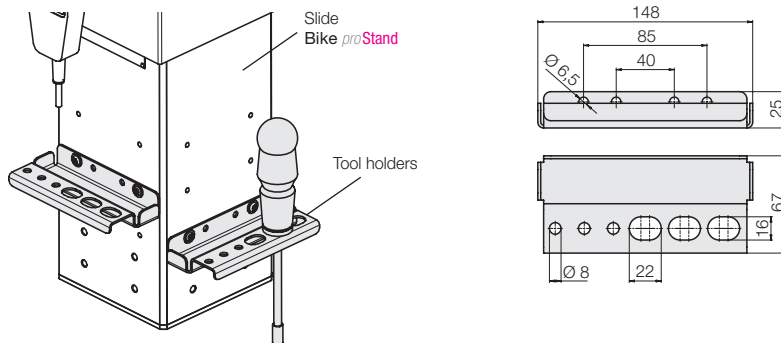
## Holders and shelves for M 9.102 Bike pro Stand Can be attached to the slide

**Bike *pro*Stand**

### Tool holders

With corresponding screws for mounting

**Part no. 6314466K**

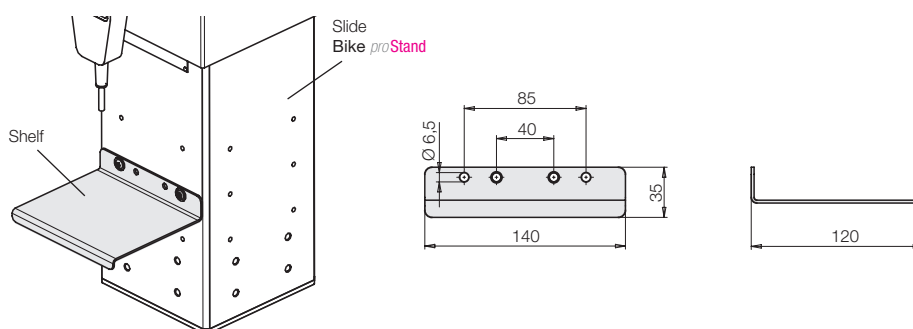


**Bike *pro*Stand**

### Shelf for magnetic pieces

With corresponding screws for mounting

**Part no. 6314467K**



**Bike *pro*Stand**

### Container for magnetic pieces

For holding metal objects such as screws, nuts, bolts, etc.  
Made of stainless steel, with two heavy-duty magnets and protective rubber on the bottom.



Dimensions: W 237 mm, H 28 mm, D 136 mm

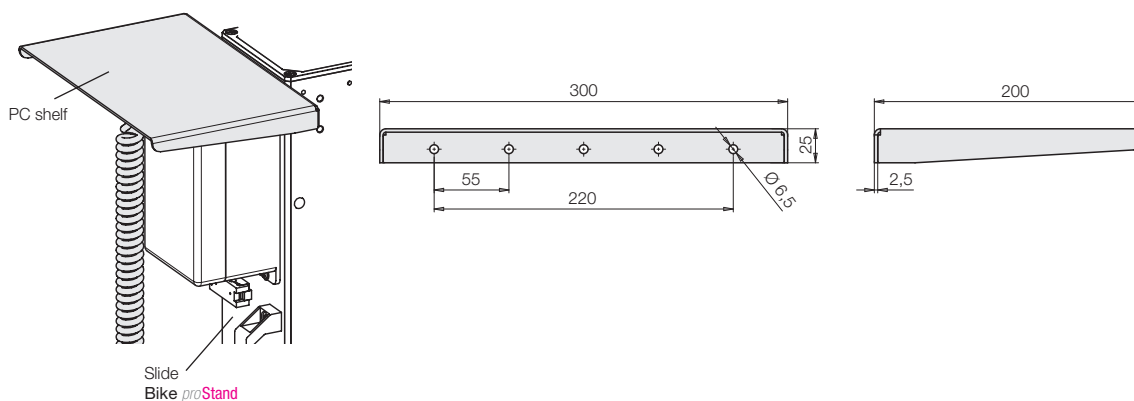
**Part no. 6352908**

**Bike *pro*Stand**

### PC shelf

With corresponding screws for mounting

**Part no. 6314468K**



# Central locking device for Bike proMobil Adapter bracket for Bike basicLift

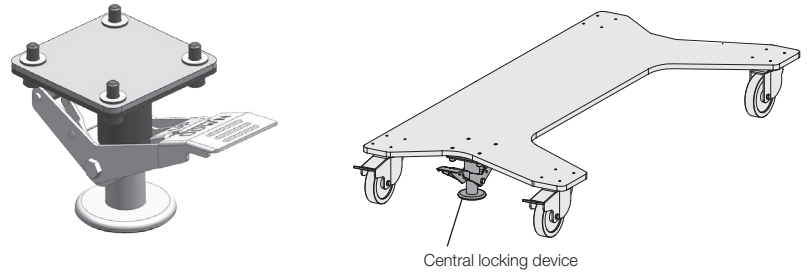
## Bike *pro*Mobil

### Central locking device

The central locking device simplifies locking when frequent stop-and-go is required and can be retrofitted to all variants with carts.

Kit with spacer plate, 4 x screws and 8 x washers

**Part no. 6401 184**



## Bike *basic*Lift

### Adapter bracket

For direct attachment of many commercially available bicycle mounts and clamping claws

Adapter bracket with corresponding screws for mounting

**Part no. 63131072K**

