



Energy Supply for Rotating and Lifting Modules

for electric *moduhub* rotating and lifting modules



Description

The control module is used for power supply and control of a *moduhub* rotating or lifting module with a brushless 24 V or 48 V DC motor in combination with an operating element (as per data sheet M 8.203).

Fixing and installation

The control module is fixed to the rear drilling pattern with 4 screws M5. The power supply for the control module is provided by a 3 m long cable with an earthed safety plug.

Variant: 6863 020 - 24 VDC

The power supply for the rotating module is connected to the control module with screw terminals in the housing.

The screwable plug connection for the operating element is located on the rotating module itself.

Variant: 6862 914 - 48 VDC

The power supply and control cable for the rotating/lifting module is provided by 2 off 1.8 m long cables with a plug connection. The operating element is connected to the control module via a screwable plug connection.

Advantages

- Easy installation
- Voltage supply 230 VAC
- Mains connection with earthed safety plug
- Compact and sturdy version
- Overload protection device

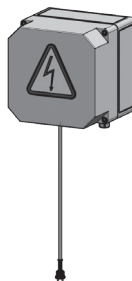
Control module 24 VDC: 6863 020

for horizontal and vertical rotating modules as per data sheet M 1.201 with the part numbers:
 – 6508 0236E
 – 6509 1036E

Technical data

Operating voltage	24 V DC
Supply power	200–240 VAC, 50/60 Hz
Rating	480 W (720 W for 4 s)
Code class	IP 54
Protection class	I
Duty cycle	100 %
Output current	20 ADC

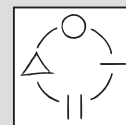
Control module 24 VDC: 6863 020



moduhub

Control modules

for *moduhub* rotating module and lifting module



Combinable with the modules

- Rotating modules



- Lifting modules



Accessories

- Electrical operating elements, lines and connectors as per data sheet M 8.203

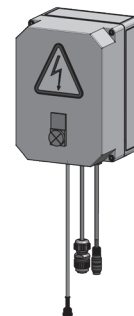
Control module 48 VDC: 6862 914

for rotating modules Strong and lifting modules Solid.

Technical data

Operating voltage	48 V DC
Supply power	200–240 VAC, 50/60 Hz
Rating	960 W (1440 W for 4 s)
Code class	IP 54
Protection class	I
Duty cycle	100 %
Output current	20 ADC

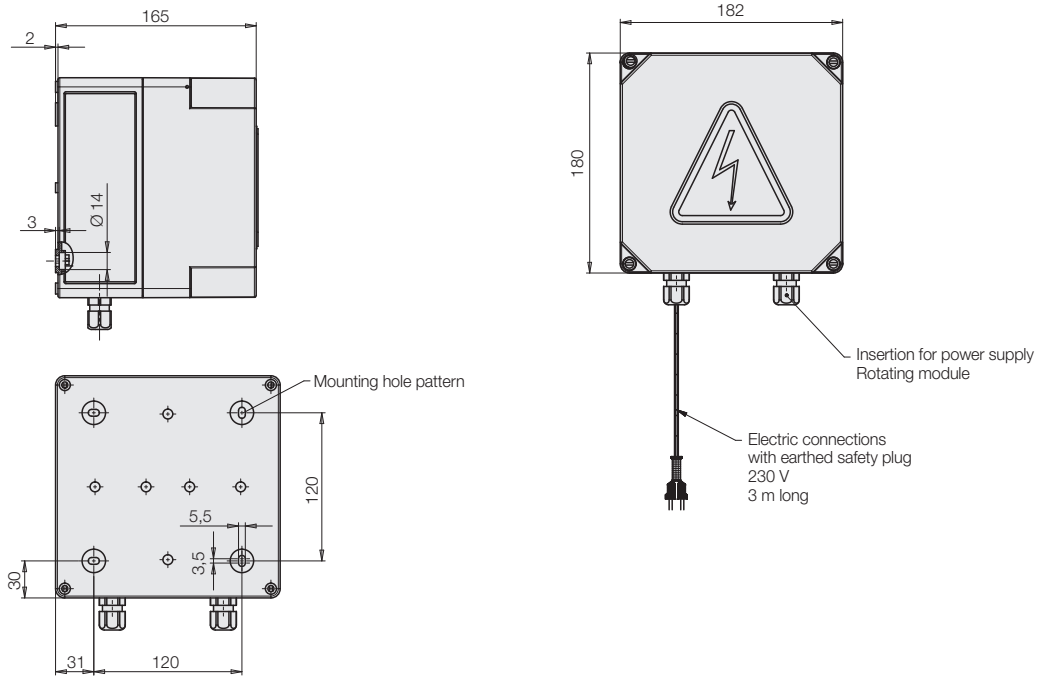
Control module 48 VDC: 6862 914



Mounting brackets for control modules, please ask for special version.

Dimensions

Dimensions 6863 020



Dimensions 6862 914

