



Bike basicLift

Stationary assembly fixture for bicycles and e-bikes
Manual-hydraulic operation



PICK UP | LIFT



Advantages

- For bicycles up to 40 kg
- Stroke 800 mm
- Quick lift with only a few pump strokes
- Easy height adjustment without external power
- Compact and sturdy version
- Safe and efficient working
- Stable, rigid assembly fixture
- Ergonomic work in the smallest space
- Low backlash guiding for smooth operation
- Use of commercially available bicycle mounts
- Also suitable for a washing station

Application

Bike *basicLift* is a height-adjustable assembly fixture for bicycles, cargo bikes and e-bikes weighing up to 40 kg for use in smaller, even mobile workshops, as well as on the race course or in the bike park.

Description

Our tried and tested modular handling technology *moduhub* was used to develop the compact bicycle assembly stand *Bike basicLift*. It is based on the reliable manually-hydraulically operated ShopFloor lifting module.

With the *Bike basicLift*, bicycles weighing up to 40 kg can be raised to 800 mm, providing an ergonomic assembly height.

Many commercially available bicycle mounts can be fixed to the top plate.

The bike can also be rotated in some mounts. For firm standing, the *Bike basicLift* is mounted on a base plate, which can also be screwed to the floor.

Operation

The foot pedal is used to lift and lower the bicycle. To lift, the foot pedal must be depressed several times. Approximately two pump strokes are required to lift approx. 100 mm. A return spring brings the foot lever to its original position. To lower the load, the foot pedal has to be pressed upwards approx. 10°.

Part no. 6401 185

Workshop version with steel plate (heavy) and small rollers for occasional reparking.

Part no. 6401 XXX

Off-road variant with aluminium plate (light-weight) and large rollers for frequent reparking (even on gravel).

Bike basicLift is made of materials that allow bikes to be washed while fixed to it.

Accessories as per data sheet M 8.902

- Further accessories

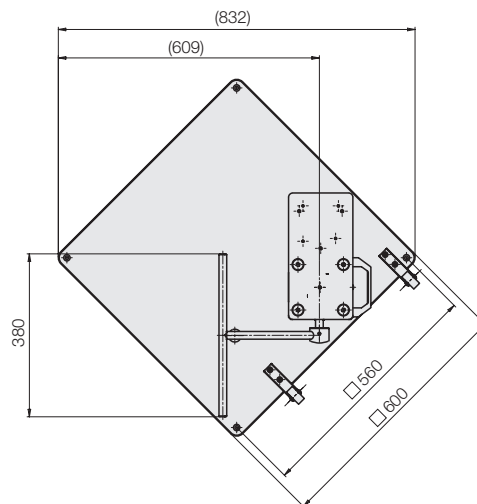
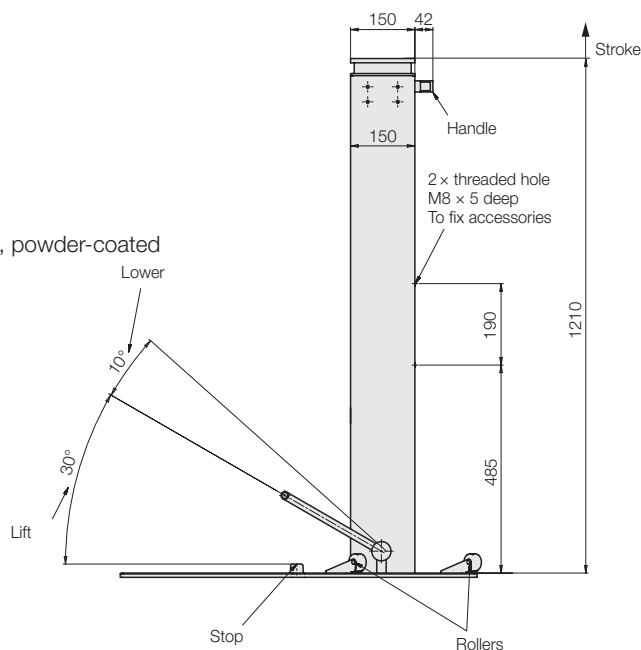
Accessories

- Clamping claws see page 2

Material

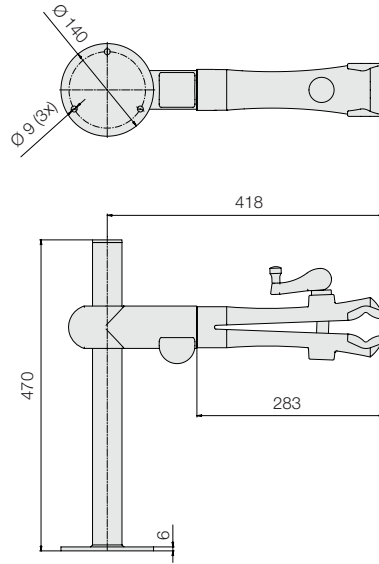
Aluminium
Corrosion-resistant steel, powder-coated
Stainless steel

Dimensions

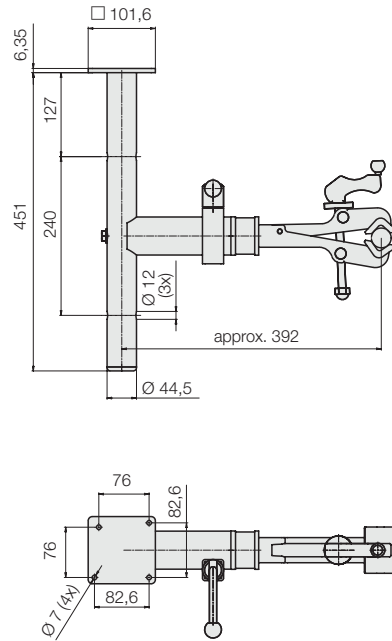


Clamping Claws and Adapter

Clamping claw "VAR"
Part no. 6352887



Clamping claw "Park Tool"
Part no. 6352888



Adapter for clamping claws on Bike *basicLift*

Supplement for part no. 6352887 or 6352888 with adjusting range of 800 mm instead of just under 500 mm.

Includes cover plug and locking bolt to prevent the claw from slipping off the pipe.

Part no. 6352931

