



Electrical Operating Elements, Lines and Connectors for *moduhub* modules



Application

Electrical operating elements for the operation of electrical *moduhub* modules.

Advantages

- Comfortable operation
- Flexible positioning in an ergonomically favourable place
- Coiled cable
- Plug secured by screws

Description

The hand panel has two buttons which operate the functions "up" and "down".

At the back of the body there is a hook to hang up the hand panel in an ergonomically favourable place.

The relaxed coiled cable is approx. 0.9 m long and can be pulled up to a length of 1.6 m.

Operation

Push the buttons "up" and "down" with the thumb in touch control mode.

When releasing a push-button the connected module stops immediately.

Material

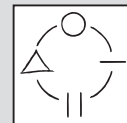
Body: Polyamide
 Connecting cable: PUR

moduhub

Hand panel

with up/down function

Part no. 3823 025



Combinable with the modules

- Rotating modules as per data sheet M 1.201 and M 3.201
- Control modules as per data sheet M 8.200
- Control module with battery holder as per data sheet M 8.201



Technical data

Dimensions	56 x 130 x 23 mm
Code class	IP 66
Connecting cable	Coiled cable 1.6 m (usable length) with connector

Installation

Voltage supply and control of the hand panel is made by a *moduhub* control module.

The hand panel is ready for use after connection of the plug to the control module.



Application

Electrical operating elements for the operation of electrical *moduhub* modules with memory function

Description

The hand panel with memory function has two push-buttons "up" and "down" to adjust the lifting modules and 5 programmable buttons for the memory function.

To store a position, the lifting module is moved into the desired position and either the "M" button is operated at the same time with one of the position push-buttons "1–5" or the "M" button and shortly afterwards one of the five position push-buttons.

The stored positions "1–5" can be approached by means of the position push-buttons. The stored positions are durably kept until they are overwritten by a new storage process.

Operation

Push the buttons "up" and "down" or "1–5" with the thumb in touch control mode.

Material

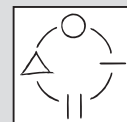
Body: Polyamide
 Connecting cable: PUR

moduhub

Hand panel

with memory function

Part no. 3823 160



Combinable with the modules

- Control modules as per data sheet M 8.200
- Control module with battery holder as per data sheet M 8.201



Technical data

Dimensions	56 x 130 x 23 mm
Code class	IP 66
Connecting cable	Coiled cable 1.9 m (usable length) with connector

Installation

Voltage supply and control of the hand panel is made by a *moduhub* control module.

The hand panel is ready for use after connection of the plug to the control module.

Foot switch, lines and connectors für *moduhub* modules



Description

The foot switch is equipped with two push-buttons for the functions "up" and "down". The bottom side is skid-proof so that also in industrial applications a fixed position can be guaranteed.

Operation

Push the buttons "up" and "down" with the foot in touch control mode. When releasing a push-button the connected module stops immediately.

Material

Body: Polyamide
Connecting cable: PUR

Application

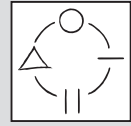
Electrical operating elements for the operation of electrical *moduhub* lifting modules.

moduhub

Foot switch

with up/down function

Part no. 3823038



Combinable with the modules

- Rotating modules as per data sheet M 1.201 and M 3.201
- Control modules as per data sheet M 8.200
- Control module with battery holder as per data sheet M 8.201



Technical data

Dimensions	109 x 209 x 38 mm
Code class	IP 65
Connecting cable	3 m, smooth with connector

Installation

Voltage supply and control of the foot switch is made by a *moduhub* control module. The foot switch is ready for use after connection of the plug to the control module.

Accessories

Mains cable

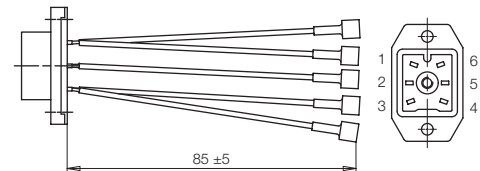
Cable version	smooth with shaped plug
Nominal voltage	230 V AC
Length	3 m
Material of isolation	PUR
Part no.	3823040



Connector

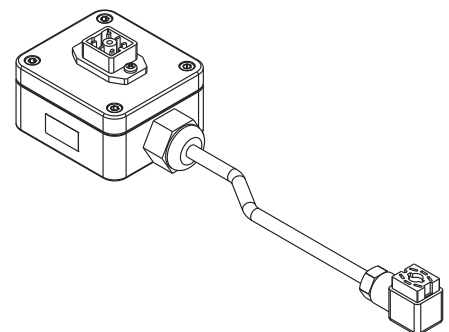
Cable socket for self-assembly control ports	3141 868
Cable socket for self-assembly power supply	3141 871
Device plug for connection of ROEMHELD actuator to user control	3823 048

Device plug 3823048



Extension cable

Cable version	smooth	smooth	smooth
Nominal voltage	24 V DC	24 V DC	24 V DC
Length	5 m	8 m	10 m
Material of isolation	PVC	PVC	PVC
Part no.	3823 175L050	3823 175L080	3823 175L100



For the connection of the lifting module to the control or from the operating elements to the control.