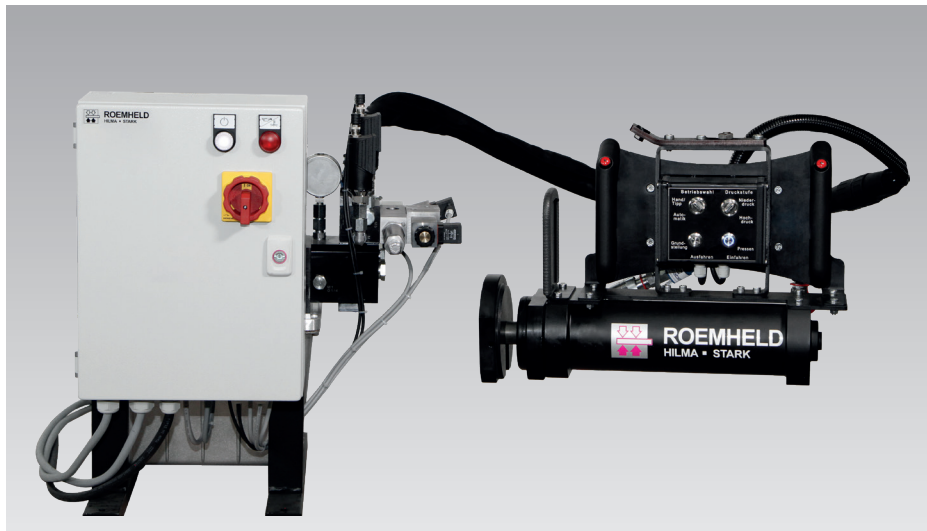




Bearing press

Hydraulic pull-in device for mounting bearings
max. pulling force 100 kN, stroke up to 200 mm, horizontal design



Advantages

- Easy to use thanks to suspension on a balancer (available as an accessory)
- High safety standard through compliance with the Machinery Directive
- Process reliability thanks to adjustable joining forces and automatic sequence
- Low noise level
- For bearings with an inner diameter of at least 40 mm and a maximum outer diameter of 145 mm

Application

The bearing press is suitable for the easy assembly of bearings, plain bearings or sleeves/bushings by hydraulically pulling them into the bearing seat.

Principal use

- Industrial assembly workstations
- Mounting bearings in housings
- Maintenance work
- Bearing assembly on large/heavy components

Delivery

- Pull-in cylinder
- Power unit with control unit

Not included in our delivery are the hydraulic hoses and cables, which must be ordered separately as accessories depending on the length as well as other accessories listed on page 4.

Accessories

- Balancer for suspension
 - Bearing holder
 - Counterholder with contact pieces
 - Hydraulic hoses
 - Cables
 - Velcro protective hose
 - Quick-disconnect coupling
- see page 4

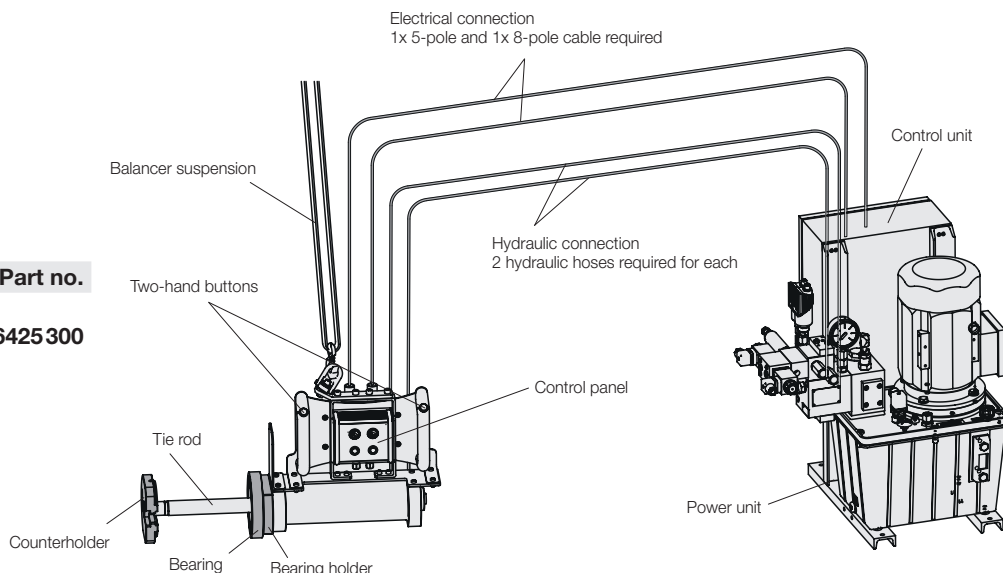
Part number

Bearing press	Part no.
Pull-in cylinder, power unit and control unit	6425 300

Description

The bearing press is designed for the hydraulic insertion of bearings into housing components and is available in a horizontal design. Guided on a knuckle boom crane with a balancer (not included in the delivery), the bearing press can be used ergonomically anywhere and can also be mounted on a trolley. The pull-in cylinder can be used either from the right or left by converting the hydraulic cylinder. The device is operated by means of a two-hand control. The pulling force of the cylinder can be adjusted within a range of 10 to 100 kN. The power unit and control unit can optionally be mounted on a crane column. A hand guard and easy-to-control travel speed ensure the necessary safety.

System structure



Joining process

The assembly process takes place in four steps: First, the bearing is placed on the bearing holder, then the tie rod is passed through the bearing bore and the counterholder is placed on the end of it. The counterholder is held on the tie rod by a spring-loaded contact piece. The cylinder is then retracted so that the bearing is pulled into the bore hole. Customised contact pieces can also be manufactured if required.

Control function

The pulling force is adjusted by a pressure switch on the power unit. Two switchable force levels can be preset.

Setting mode

Retraction and extension using two-hand operation, direction preselection via rotary switch

Automatic mode

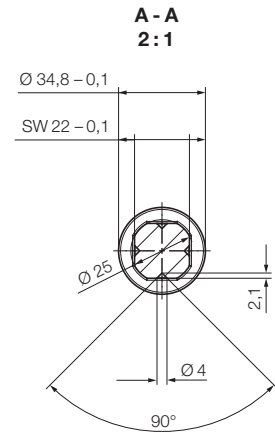
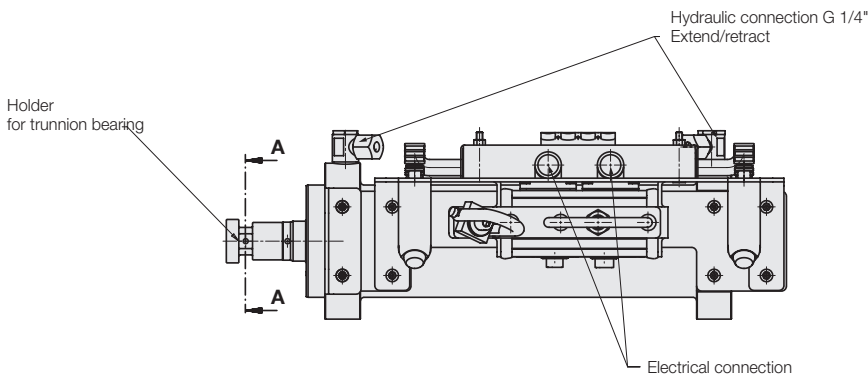
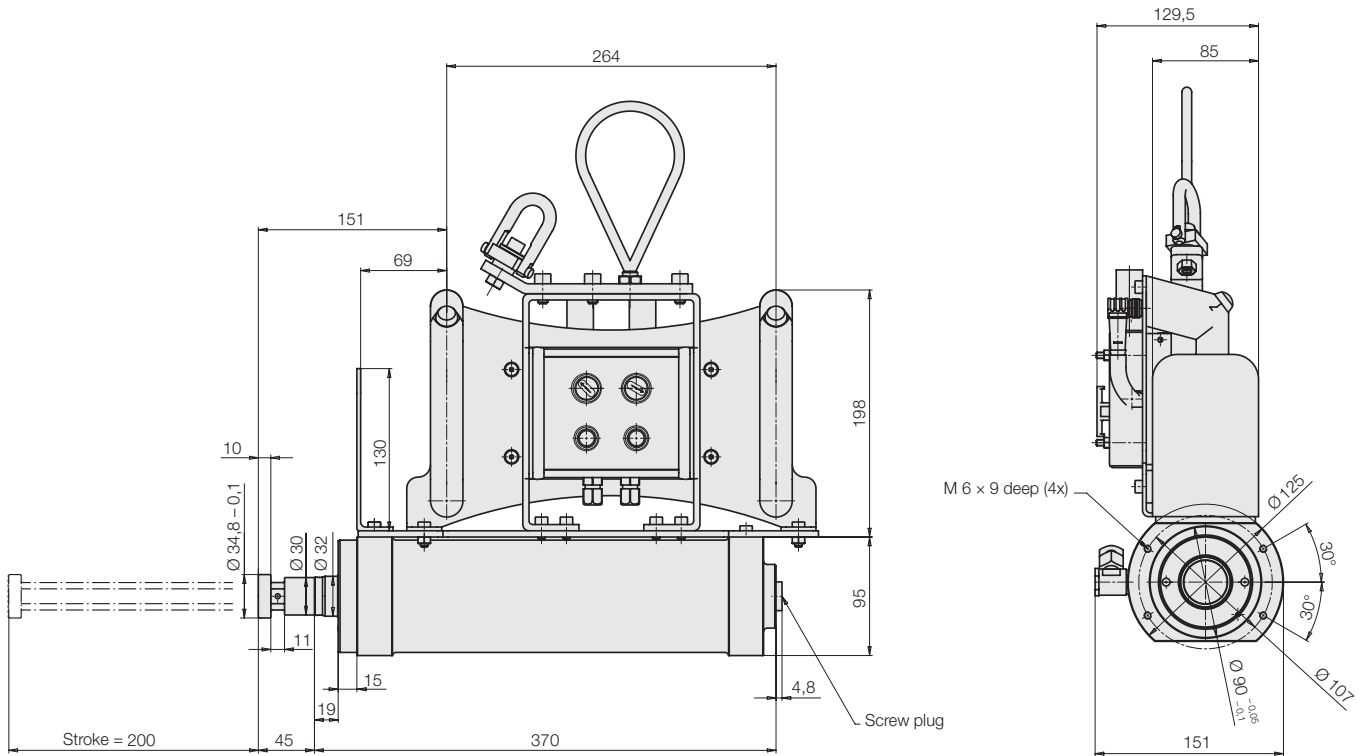
The cylinder retracts until the set force is reached and then automatically reverses direction and returns to the off-position.

Subject to technical changes without prior notice

Pull-in cylinder and tool holder

Dimensions • Technical data

Dimensions



All dimensions [mm]

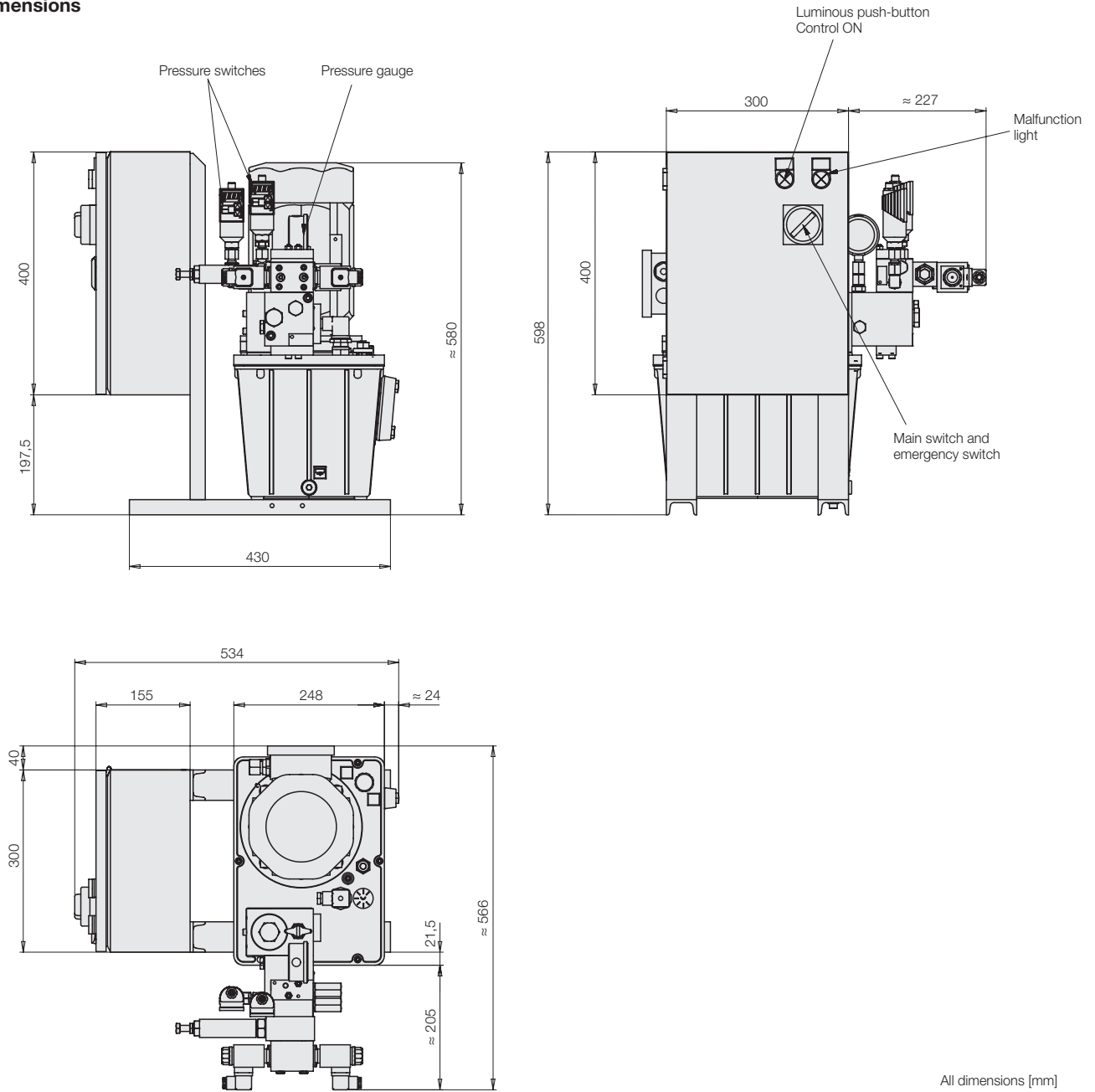
Technical data Pull-in cylinder

Max. stroke	[mm]	200
Adjustable force range	[kN]	10 ... 100
Retraction travel speed	[mm/s]	22
Extension travel speed	[mm/s]	13
Electrical connection		M12 connector
Hydraulic connection		G1/4
Weight	[kg]	20

Power unit and control unit

Dimensions • Technical data

Dimensions



All dimensions [mm]

Technical data Power unit and control unit

Weight	[kg]	70
Adjustable force range	[kN]	10 ... 100
Noise	[dB(A)]	max. 80
Electrical connection		400V 16A 3-phase
Reservoir size	[l]	11
Hydraulic oil		HLP 22 as per ISO 6743/4
Ambient temperature (operation)	[°C]	+5 to +35
Machinery Directive		2006/42/EC

Balancer for suspension

Max. load 25 kg

Part no. 6425550

Tool holder

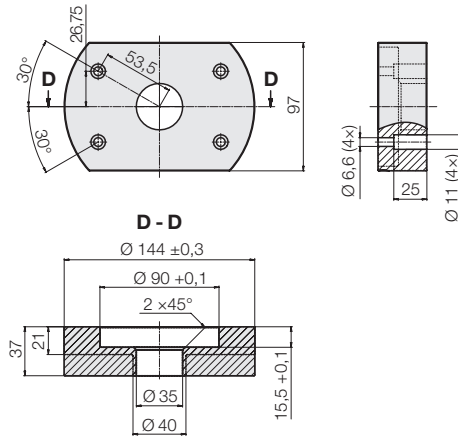
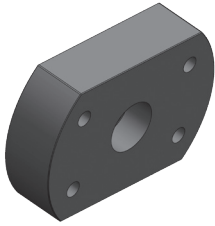
Blank bearing holder

for individual adaptation

Material: High alloy steel, black oxide

Weight: 2.5 kg

Part no. 6425510



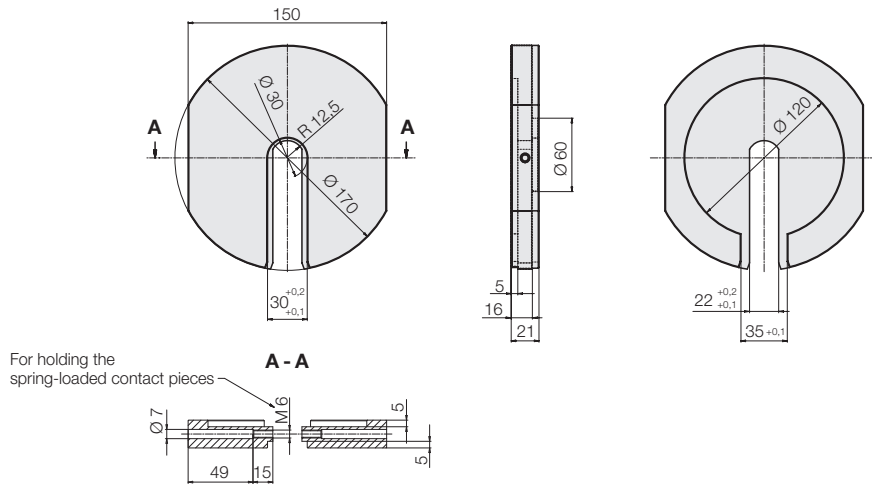
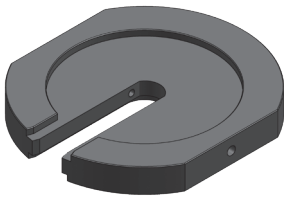
Blank counterholder

Including two spring-loaded contact pieces for individual adaptation

Material: High alloy steel, black oxide

Weight: 2.5 kg

Part no. 6425511



Electrical connection

1x 5-pole and 1x 8-pole cable required for each

M12 cable plug angled	5 metres	10 metres
8-pole	6425500	6425502
5-pole	6425501	6425503

Hydraulic connection

Two hydraulic hoses required for each

Hydraulic hose	5 metres	8 metres
Part no.	9370895	9370896

Velcro protective hose

For bundling the lines

10 m, can be cut to any length

Part no. 6425504

Quick-disconnect coupling

as per data sheet F 9.381