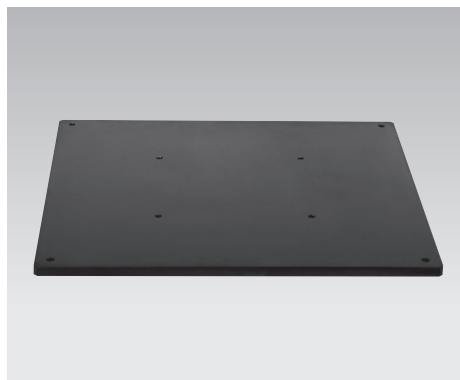




Base Plates
for *moduhub* lifting modules



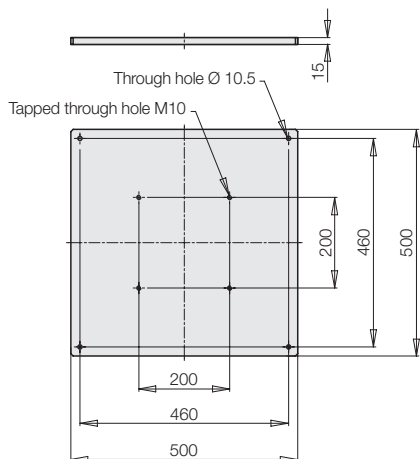
Base plate 500 x 500 mm

Base plate 500 x 500 mm
Standard version

with single moduhub interface 200 x 200
with 4 threads M10

Part no.: 6311 412

Use primarily for individual lifting modules



Advantages

- *moduhub* interface
- Increased stability
- Installation possible on many sub-floors
- Easy mounting

Application

Base plates are primarily used with lifting modules.

They are screwed to the lifting module and the floor to get a larger support surface and an increased stability of the lifting module.

The use of base plates is especially recommended for sub-floors with unknown strength and high torque loads.

Material

Steel, black oxide

For lifting modules:

- Basic
- Shop-Floor
- Strong
- Shop Floor Telescope
- Solid

moduhub
Base plate

Part no. 631XXXX



Combinable with the module

- Lifting modules as per data sheet M 4.XXX



***moduhub* interface**

- 200 x 200 - M10
- 140 x 140 - M10

Important note!

The fixing screws M10 are not included in our delivery.

Application example



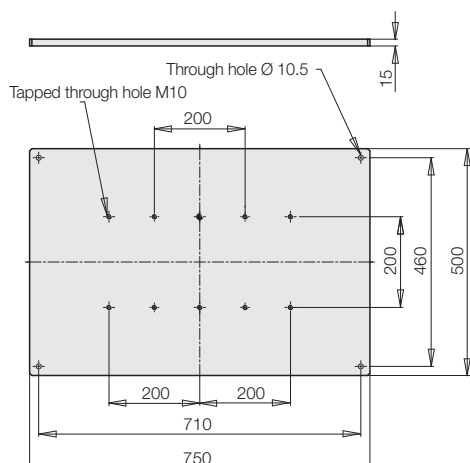
Lifting module Shop-Floor with base plate

Base plate 750 x 500 mm

moduhub interface 200 x 200
with 10 threads M10

Part no.: 6311 460

Use primarily for lifting modules with higher max. torque load M 4.401, M 4.402 and M 4.501



For lifting modules:

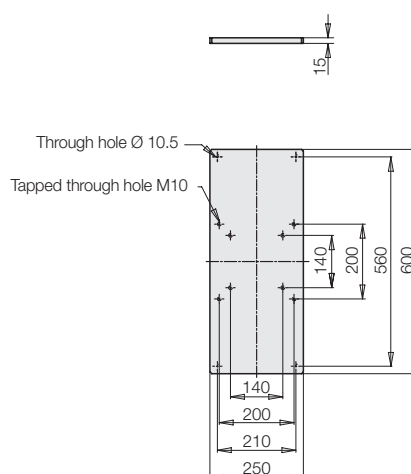
- Basic
- Range
- Shop-Floor
- Strong
- Twin-Strong
- Shop Floor Telescope
- Solid

Base plate 600 x 250 mm

moduhub interface 200x200 and 140x140
each provided with 4 threads M10

Part no.: 6312161

Use primarily for lifting units in synchronism



For lifting modules:

- Basic
- Shop-Floor
- Shop Floor Telescope
- Strong
- Solid