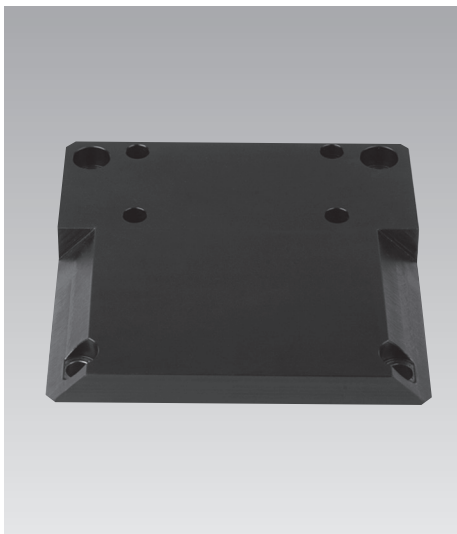




**Adaptor Plates**  
for *moduhub* interfaces

**Adaptor plate DMH 140**



**Advantages**

- *moduhub* interface
- Simple vertical mounting of the rotating module - horizontal axis DMH
- Easy mounting
- Standard plate

**Application**

The adaptor plate DMH 140 allows vertical mounting of the rotating module - horizontal axis DMH 200 on modules with a *moduhub* interface 140 x 140.

**Material**

steel, black oxide

**Note**

The fixing screws M10 are not included in our delivery.

**moduhub**

**Adaptor plate**

for rotating modules DMH 200

Part no. 6311 326



**moduhub interface**

- 140 x 140 mm – M10

**Mounting scheme - example**



Rotating module - horizontal axis DMH with interface  
**95 x 50 mm – M10**

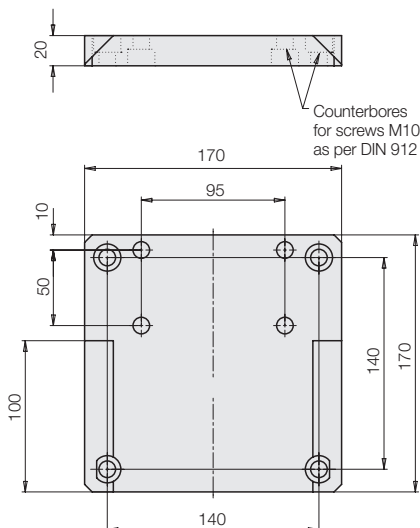


Adaptor plate **DMH 140**



Lifting module with top plate interface  
**140 x 140 – Ø 10.5 mm**

**Dimensions**

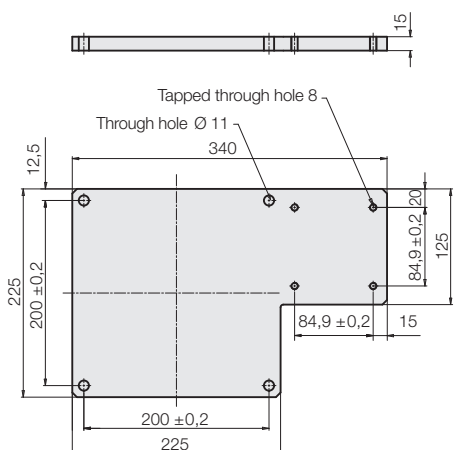


**Application example**



Rotating module - horizontal axis DMH 200 vertically mounted on a lifting module Shop-Floor

**Adaptor plate 6312748**



**Advantages**

- Easy installation of indexing with foot pedal
- Easy mounting
- Standard plate

**Application**

The indexing mechanism of the rotating modules can be fixed on the floor with the adaptor plate 6312748. With the adaptor plate, all foot pedals for rotating and tilting modules such as per data sheet M1.101 can be quickly and safely fixed.

The application is optimised for cart modules below the base plate of lifting modules.

**Material**

aluminium, black anodised

**Note**

The fixing screws M8 are not included in our delivery.

**moduhub**

**Adaptor plate**

Pedal-operated indexing

Part no. 6312748

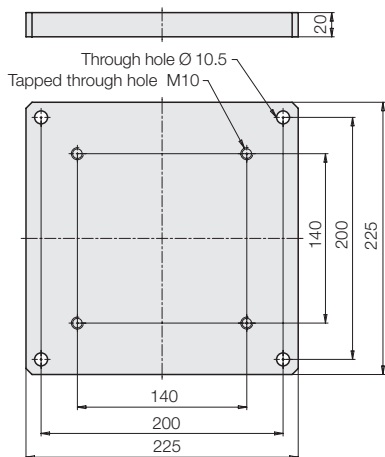


**moduhub interface**

- 200 x 200 mm – Ø 10.5 mm

# Adaptor Plates

## Adaptor plate 140 – 200



### Advantages

- Simple mounting of *moduhub* modules with different interfaces
- Easy mounting
- Standard plate

### Application

By means of the adaptor plate 140 – 200 modules with a 140 x 140 mm *moduhub* interface can be mounted onto a 200 x 200 mm *moduhub* interface.

For example a rotating module - vertical axis on a cart or floor module.

### Material

steel, black oxide

### Note

The fixing screws M10 are not included in our delivery.

## *moduhub*

### Adaptor plate

Interface 140 to 200

Part no. 6311 417



### *moduhub* interface

- 140 x 140 mm – M10
- 200 x 200 mm –  $\varnothing 10.5$  mm

### Mounting scheme - example



Rotating module - vertical axis  
DMV with interface

**140 x 140 mm – M10.5**



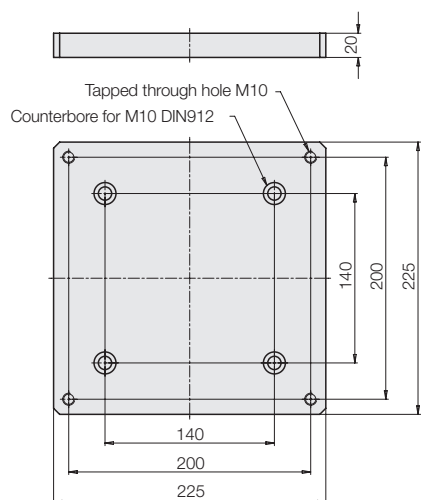
Adaptor plate **140 – 200**



Cart module WMS  
with interface

**200 x 200 – M10**

## Adaptor plate 200 – 140



### Advantages

- Simple mounting of *moduhub* modules with different interfaces
- Easy mounting
- Standard plate

### Application

By means of the adaptor plate 200 – 140 modules with a 200 x 200 mm *moduhub* interface can be mounted onto a 140 x 140 mm *moduhub* interface.

For example a lifting module on a rotating module - vertical axis.

### Material

steel, black oxide

### Note

The fixing screws M10 are not included in our delivery.

## *moduhub*

### Adaptor plate

Interface 200 to 140

Part no. 6311 423



### *moduhub* interface

- 200 x 200 mm – M10
- 140 x 140 mm –  $\varnothing 10.5$  mm

### Mounting scheme - example



Lifting module  
with base plate interface

**200 x 200 mm –  $\varnothing 10.5$**



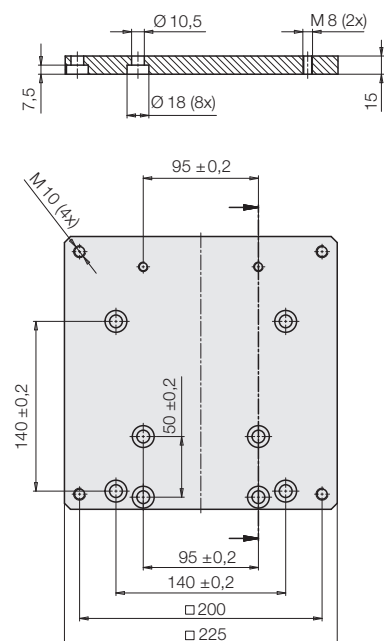
Adaptor plate **200 – 140**



Rotating module - vertical  
axis DMV with interface

**140 x 50 mm – M10**

## Adaptor plate 6313989



### Advantages

- Simple adaptation of rotating modules with horizontal axis

### Application

This adaptor plate is especially suitable for mounting rotating modules as per data sheet M 1.101 or M 1.201 on lifting modules Solid as per data sheet M 4.402.

### Material

steel, black oxide

### Note

The fixing screws are not included in our delivery.

## *moduhub*

### Adaptor plate

Part no. 6313989



### *moduhub* interface

- 200 x 200 mm – M10
- 95 x 50 mm –  $\varnothing 10.5$  mm (M 1.101)
- 140 x 140 mm –  $\varnothing 10.5$  mm (M 1.201)

### Application example

