



## Tilting Module KME 100

### Max. load 1,000 N, electrical operation



#### Advantages

- Easy tilting and fixing of components in angle positions 0° and 90°
- Holds self-locking in any intermediate position
- High load potential
- Good accessibility from all sides
- Easily combinable with other *moduhub* modules
- Ergonomic working conditions
- Safe and quick working

#### Application

Tilting module for universal use in assembly and handling processes in the industry.

#### Principal use

- Assembly of car seats
- Motor assembly
- Plant construction
- Construction of power units

#### Fixing and installation

For fixing of *moduhub* modules or other components of the user, the tilting module has an interface 140 x 140 at the base plate and the tilting clamping surface.

#### Mains cable 5 x 1.5 mm<sup>2</sup>

To be connected by the customer to the terminal strip in the control module (mains cable is not included in our delivery).

#### Operation

Tilting is made in touch control with hand panel or foot switch. After releasing the hand panel or foot switch, the tilting movement will be stopped immediately.

#### Description

The electric tilting module is equipped with a worm gear motor and offers the possibility to tilt components by up to 90° and to hold them in position in non-actuated mode. The desired position is approached by pressing a hand panel or foot switch in touch control.

When the push-button is released, the tilting module stops in any desired position.

The tilting module is automatically stopped by sensors in the positions 0° and 90°.

With the electric tilting module, assembly processes can be realised quickly and efficiently. Ergonomic working conditions are fulfilled.

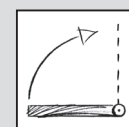
#### Available on request:

Tilting position 0, 30, 60 and 90 degrees.

Tilting position 0, 30, 45, 60 and 90 degrees.

Tilting position 0, 45 and 90 degrees.

### *moduhub* Tilting module



Part no. 6400 752

#### Technical data

Max. load: 1,000 N  
 Max. torque: 175 Nm  
 in relation to the rotating axis

#### Operation

- Foot switch
- Hand panel



#### Combinable with the modules

- Rotating module – vertical axis DMV 600 as per data sheet M 1.301



- Lifting modules as per data sheet M 4.XXX



#### *moduhub* interfaces

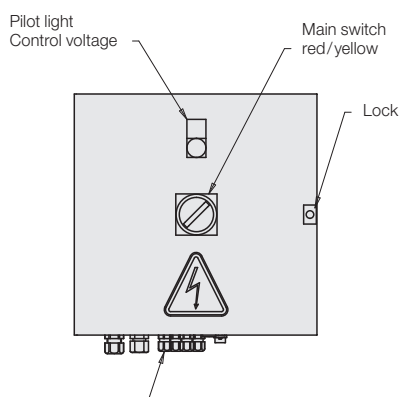
- Flange plate: 140 x 140 - M10
- Body: 140 x 140 - Ø 10.5 mm

#### Accessories

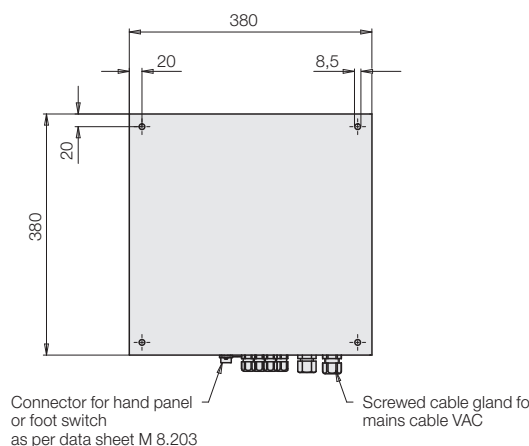
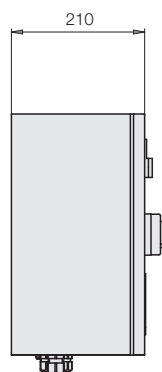
- Electrical operating elements as per data sheet M 8.203

#### Control module 6862717

included in our delivery

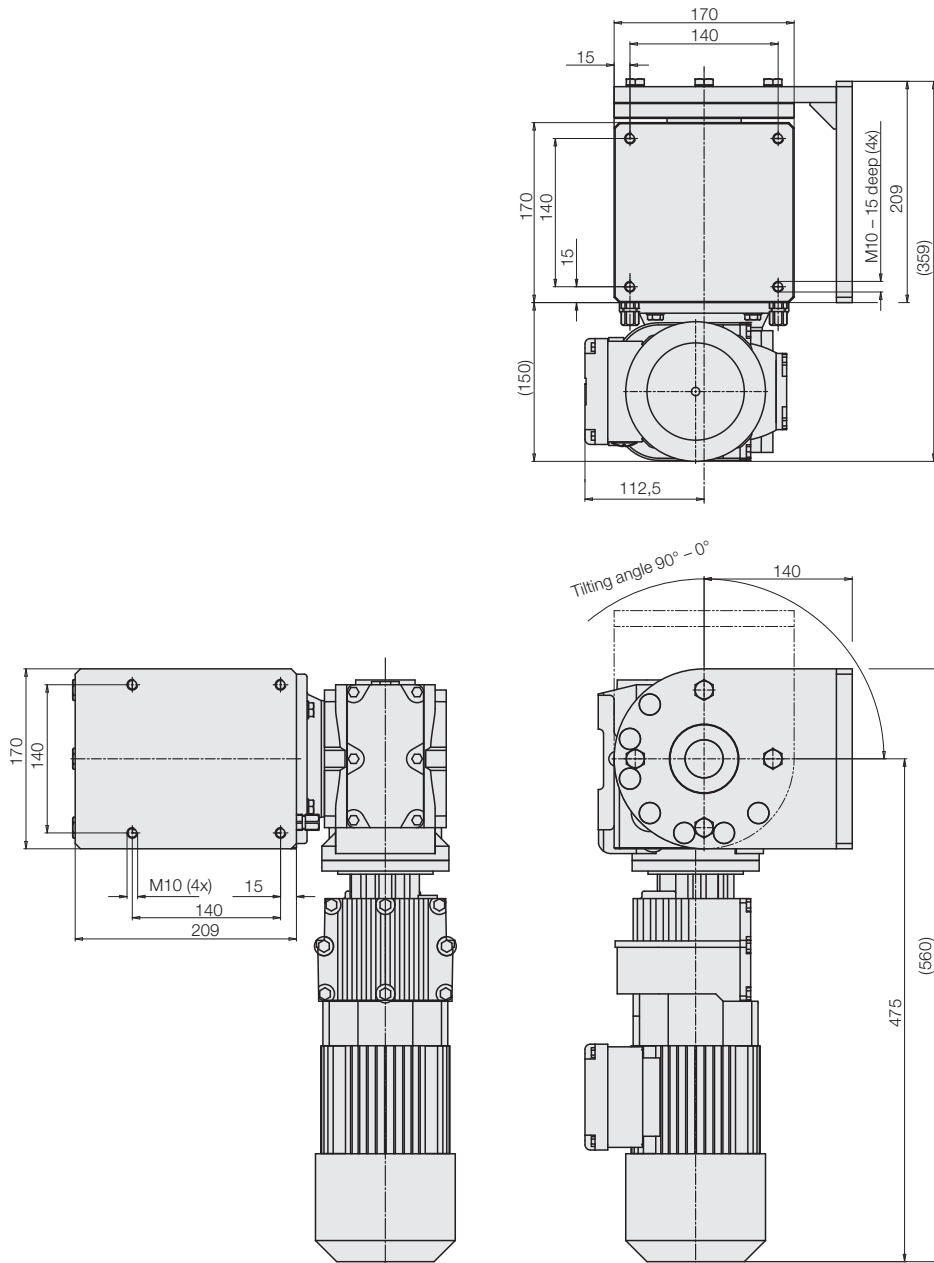


Tilting and control module are supplied with a 3 m long hard-wired cable.



# Technical data Dimensions

## Dimensions

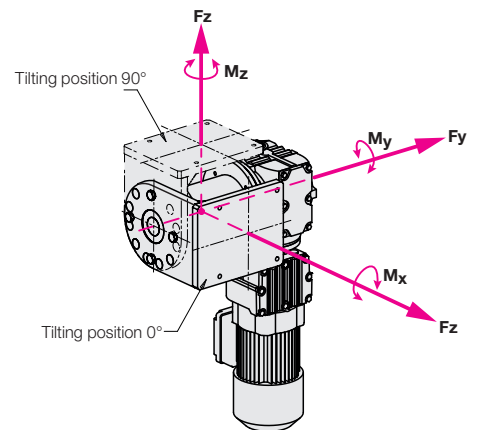


Part no. 6400752

## Technical data

Operation	Switching contact or foot switch or hand panel
Tilting angle	0° to 90°
Supply voltage	400 VAC / 16 A
Code class	IP54
Max. rotation speed	4.5 min <sup>-1</sup>

## Maximum admissible load



## Maximum admissible forces

**F<sub>x</sub>** = ± 1,000 N

**F<sub>y</sub>** = ± 1,000 N

**F<sub>z</sub>** = ± 1,000 N

## Maximum admissible torques

**M<sub>x</sub>** = 100 Nm

**M<sub>y</sub>** = 175 Nm

**M<sub>z</sub>** = 100 Nm

The total of all occurring forces or torques must not exceed the highest single value.

## Delivery

The electrical tilting modules are delivered with control module ready for connection. Electrical operating elements are available as accessories.

## Important notes

The electrical tilting module is designed for applications within closed rooms.