



## Bike proStand

Stationary assembly fixture for bicycles, cargo bikes and e-bikes electrically operated



PICK UP | LIFT | ROTATE



### Application

Bike *proStand* is a stationary, electrically operated assembly fixture for bicycles, cargo bikes and e-bikes weighing up to 40 kg. Without an electrical rotation axis it can accommodate up to 80 kg.

### Advantages

- Picking up and setting down all types of bicycles from the ground with a 1470 mm electrical stroke and 360° electrical rotation axis
- Universal use due to interchangeable clamping pick-ups
- Safe working due to design according to EC Machinery Directive
- Collision shutdown
- Ergonomic working through best accessibility thanks to force-free rotation of the bicycle with electrical rotation axis

### Description

Due to the sturdy, industrial quality design Bike *proStand* can be used for both assembly and repair.

The lifting and rotation axis are electrically operated. Both axes are operated with a common hand panel.

Since both axes are self-locking, each set position is held securely.

The large stroke of 1470 mm makes it possible to lift the bicycles from the ground and bring them to an optimal assembly height. The rotation axis allows endless rotation at any height. The lifting axis has a shutdown function if a collision occurs during lowering.

### Hand panel

Operation is via a hand panel that actuates the functions "Up/Down" and "Rotate left/Rotate right" ("Up/Down" only with 6401 175).

There is an eyelet on the slide for hanging the hand panel. The flexible coiled cable is approx. 0.9 m long and can be pulled up to a length of 1.6 m.

### Mounting to the ground

For firm standing, the base plate must be bolted to the floor (min. concrete strength class C 20/25).

With larger base plates (available on request), the assembly fixture can also be used free-standing.

### Variants

Without rotation axis up to 80 kg load

### Variants on request

- Double interface for tandem workstations
- Struts for fixing in the wall or ceiling (if fixing on the floor is not possible)

### Accessories as per data sheet M 8.902

- Clamping pick-ups
- Holders and shelves
- Further accessories

### Accessories on request

- Larger base plates
- Special clamping and mounting fixtures

 **YouTube Video**

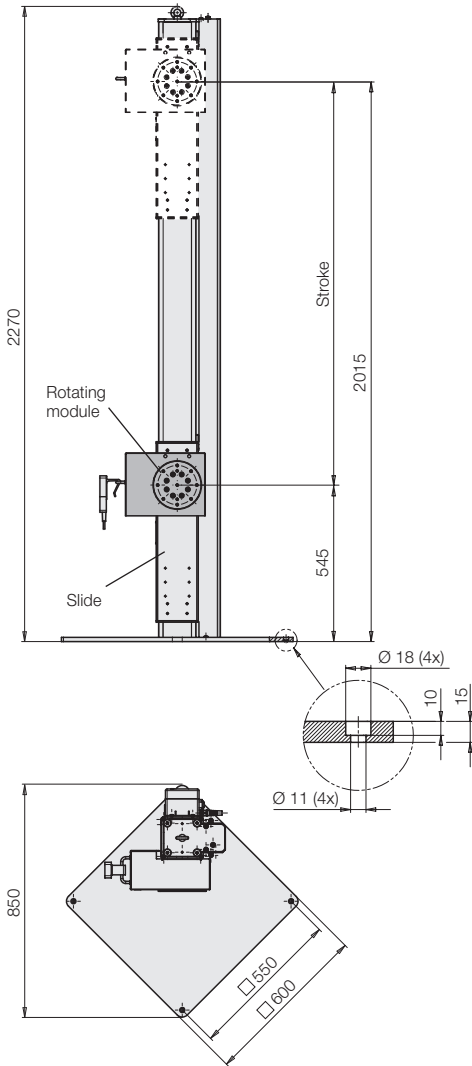
See all functions in the video



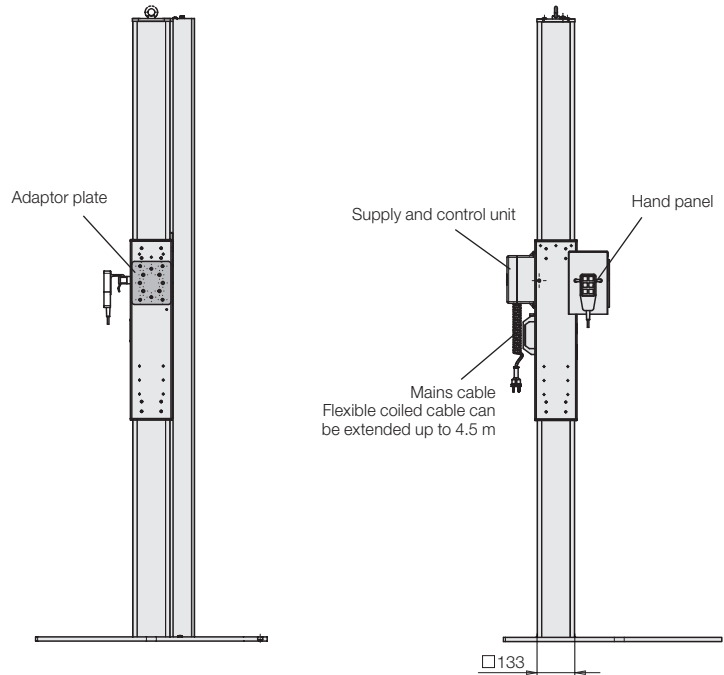
# Technical data Dimensions

## Dimensions

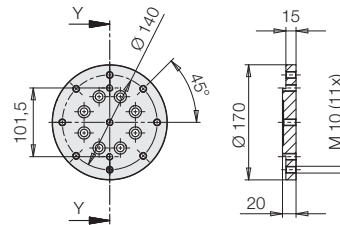
### With rotation axis



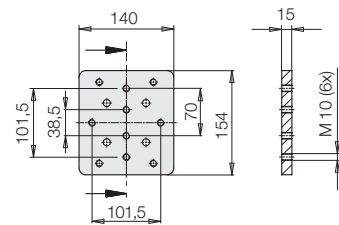
### Without rotation axis



### Flange rotation axis



### Flange adaptor plate (variants)



## Technical data

	With rotation axis	Without rotation axis
Max. bicycle weight	40 [kg]	80
Maximum permissible force application by operators		250 [N]
Lifting drive	Electrically driven trapezoidal spindle	
Stroke		1470 [mm]
Lifting speed (load-dependent)		40 – 60 [mm/s]
Rotating drive	Electrically driven worm gear	
Rotation angle	360° – infinite [°]	–
Indexing angle	Self-retaining in any position [°]	–
Number of revolutions	3 [r.p.m.]	–
Max. driving torque of rotation axis	90 [Nm]	–
Max. bending moment		275 [Nm]
Operating element	Hand panel with 4 push-buttons	Hand panel with 2 push-buttons
Safety concept	Moving by touch control with self-locking drive elements and collision shutdown	
Supply voltage	230 V 1P / 50 Hz (16 A fused)	
Max. relative cycle time	15 % ED	
<b>Part no.</b>	<b>6401 172</b>	<b>6401 175</b>

## Note

Design may vary due to technical optimizations.