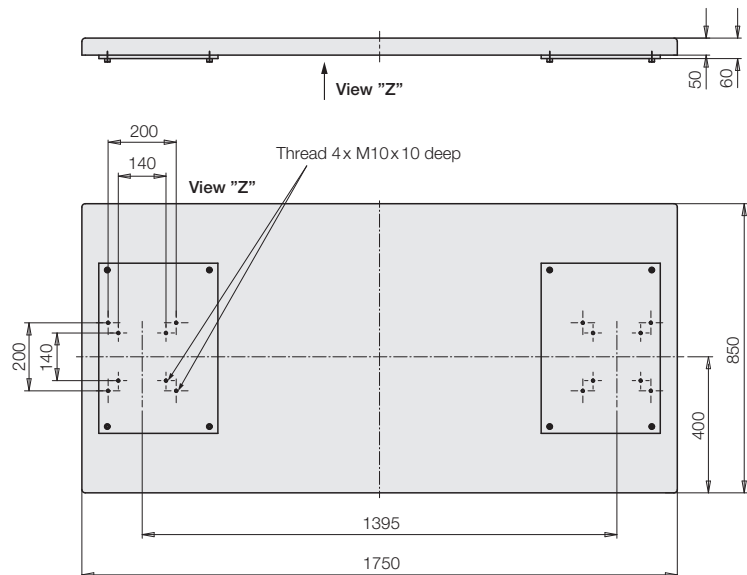


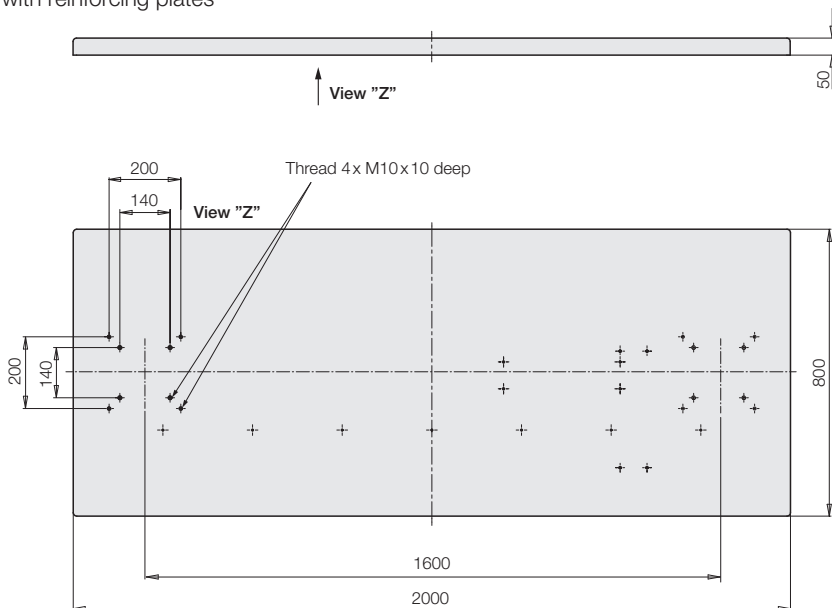


Table plate with two moduhub interfaces

Wooden table plate with steel strengthening – 1750 x 850 mm
with reinforcing plates



Wooden table plate – 2000 x 800 mm
with reinforcing plates



Application

Table plate with radiused edges and two eccentric *moduhub* interfaces.

Supported by a reinforcing plate made of steel for high loads.

Fields of application are, for example, industrial applications with standing work places.

Principal use

- Ergonomic assembly places
- Height-adjustable working tables

Advantages

- Strengthened and stylish version
- *moduhub* interfaces

Material

Table plate: Multiplex beech, 50 mm clear coated

Reinforcing plate: steel lacquered

Note

The fixing screws M10 are not included in our delivery.

moduhub

Table plate



Part no. 6505060

Technical data

Maximum load: 4.000 N plane

Combinable with the modules

- Lifting modules as per data sheet M 4.202, M 4.301 and M 4.401



moduhub interfaces

- eccentric 2 off 140 x 140 mm - M10
- 2 off 200 x 200 mm - M10

moduhub

Table plate



Part no. 6505061

Technical data

Maximum load: 3.000 N plane

Combinable with the modules

- Lifting modules as per data sheet M 4.202, M 4.301 and M 4.401



moduhub interfaces

- eccentric 2 off 140 x 140 mm - M10
- 2 off 200 x 200 mm - M10

Application example



Height-adjustable working tables composed by the table plate 1750 x 850 m, two electrically-operated lifting modules Shop-Floor with supply unit and the floor module.