



## Accessories for Bicycle Assembly Fixtures

### Fixtures, clamping claws, holders and shelves

#### Universal fixture

For Bike *proStand* with and without rotation axis.

For fixing:

- Clamping claw VAR, part no. 6352 912
- Clamping claw Feedback, part no. 6352 927
- 3-point pick-up, part no. 6352 939

The universal fixture facilitates:

- The transmission of high torques so that e-bikes weighing up to 40 kg can be safely turned with the electric rotation axis.
- The clamping claws and 3-point pick-up can be mounted at any angle, as the universal fixture can be rotated as required.
- The clamping claws and 3-point pick-up can be changed quickly, as only one fixing screw needs to be tightened by the hand lever for fixing.

**Part no. 6352919**

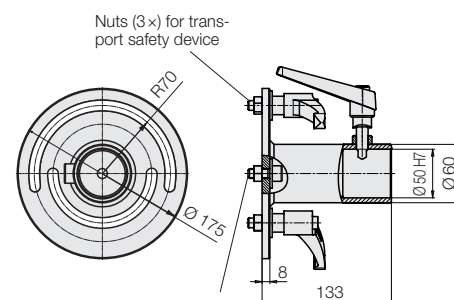
#### Bicycle clamping device for Bike *proStand* – Version with rotation axis

High torques can occur with the Bike *proStand* with rotation axis. To absorb these torques, the universal holder part no. 6352 919 must be screwed to the flange of the rotation axis, to which suitable clamping claws and holders in 3 variants (see left) can be attached.

#### Bicycle clamping device for Bike *proStand* – Version without rotation axis

Clamping claws with a flange for direct mounting can be screwed onto the flange of the slide (see page 2).

The universal fixture part no. 6352 919 can also be attached as a quick changing system.



Central screw M 10 (just screw on loosely and secure with screw adhesive)

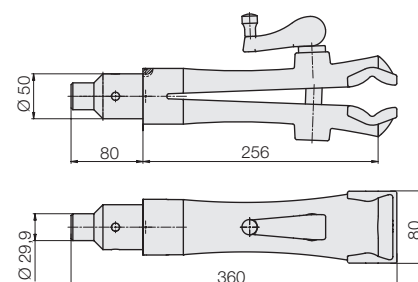
### Clamping claws and holders for universal fixture

Bike *proStand*

#### Clamping claw “VAR”

High-quality design with additional retaining holes for reliable use with universal holder 6352 919 on the electric rotation axis.

**Part no. 6352912**

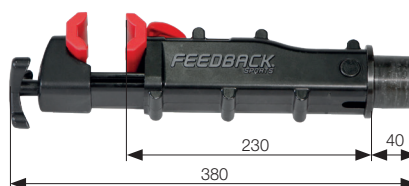


Bike *proStand*

#### Clamping claw “Feedback”

Mounting clamp, re-engineered with index bore for universal fixture 6352 919.

**Part no. 6352927**



Bike *proStand*

#### 3-point pick-up

with self-tensioning system for universal fixture 6352 919

The 3-point pick-ups accommodate bicycles with a wide variety of frame shapes on the assembly fixtures. Due to the large distances between the pick-up points, the forces at the support points are reduced and paint and sensitive materials are protected. Special attention was paid to edge and impact protection, a stable design and easy access.

The sliding guide enables the bicycle weight to press the mandrel forward, supporting the tensioning of the bicycle.

The pick-up is suitable for a bicycle weight of up to 25 kg.

**Part no. 6352939**



Dimensions in [mm]

## Clamping Claws, Holders and Shelves

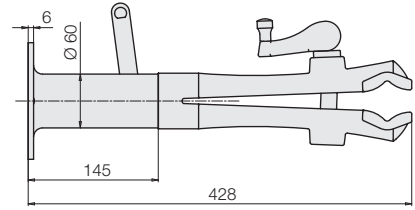
### Clamping claws with flange for direct mounting

Bike *proStand*

#### Clamping claw VAR

with flange and locking for direct mounting on the Bike *proStand* without rotation axis

Part no. 6352925

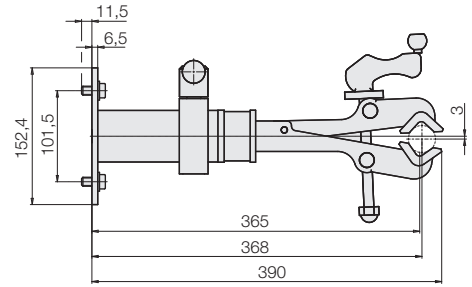


Bike *proStand*

#### Clamping claw Park Tool

with flange and locking for direct mounting on the Bike *proStand* without rotation axis

Part no. 6401154



Bike *basicLift* | Bike *proStand* | Bike *proMobil*

#### Handlebar holder Flop Stop

with an adjusting range of 508–889 mm, the handlebar holder with its two rubber loops can be used as a universal helper for all assembly work.

Part no. 6352910

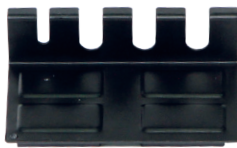


Bike *proStand*

#### Tool holders

with magnet pad for fixing  
Holding force up to 2.5 kg  
Dimensions: 145 × 90 × 50 mm

Part no. 6352933



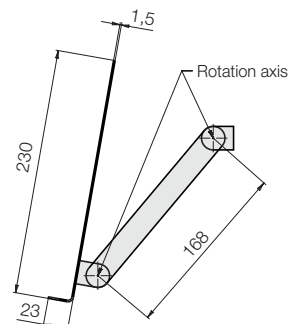
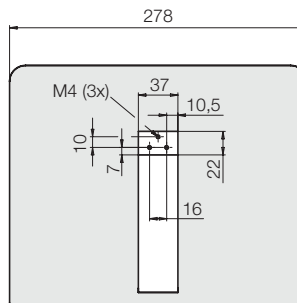
Bike *proStand*

#### PC shelf

with suitable screws for attachment to the protection cover of the Bike *proStand*.

**Recommendation:**  
For laptops up to 14"

Part no. 6352922



Dimensions in [mm]

Bike *proStand* / Bike *basicLift*

### Container for magnetic pieces, stainless steel

Suitable for magnetic fixing

- on the housing of the rotation axis of the

Bike *proStand*

- on the top plate of the Bike *basicLift*

For holding metal objects such as screws, nuts, bolts, etc.

Made of stainless steel, with two heavy-duty magnets and protective rubber on the bottom.

Dimensions: 237 × 28 × 136 mm



**Part no. 6352908**

Bike *proStand* / Bike *basicLift*

### Container for magnetic pieces, vertical

Suitable for magnetic fixing

- on the magenta-coloured cover of the Bike

*proStand*

- on the top plate of the Bike *basicLift*

Colour: blue



**Part no. 6352928**

Bike *proStand*

### Wall and ceiling mounting set

Consisting of a crossbar aluminium profile,

1 m or

2 m in length and a mounting set.

The set can be attached horizontally or vertically to the top plate of the Bike *proStand*.

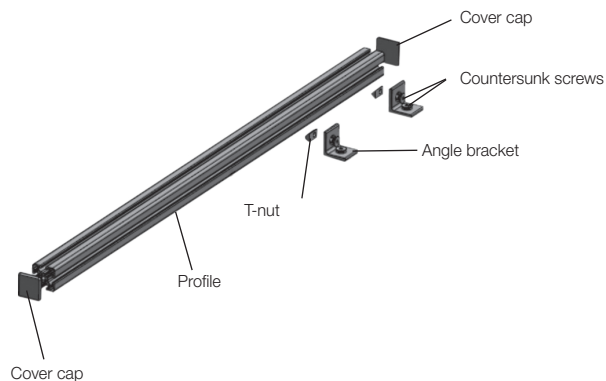
In this way, the crossbar can increase stability and at the same time can be used for cable routing and for hanging parts and tools.

1 m set

**Part no. 6352923**

2 m set

**Part no. 6352924**



Bike *proStand*

### Hook set

With T-nuts for hanging fatbikes

Suitable for the wall and ceiling mounting set

**Part no. 6352926**



## Adapter Bracket and Mandrels

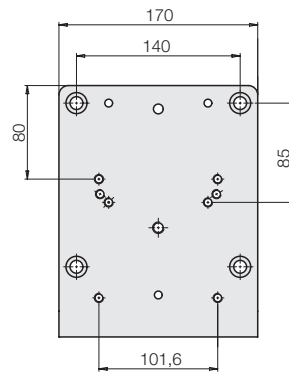
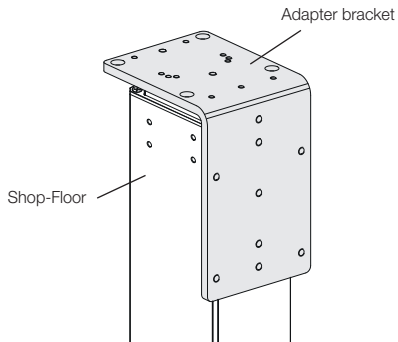
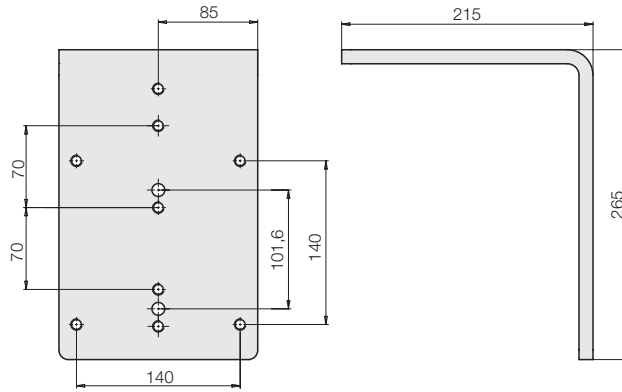
### moduhub

#### Adapter bracket

For direct attachment of many commercially available bicycle mounts and clamping claws to a standard ROEMHELD lifting column.

With corresponding screws for mounting

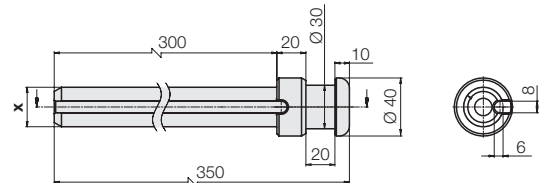
**Part no. 63131072K**



### Bike proMobil

#### Mandrels

Mandrels are suitable for clamping bicycles without touching the paint. The mandrel also has a groove to route cables of the electric circuit or the cable of drop posts even when unclamped. Almost all frames can be picked up using adapter sleeves provided by the customer. For exotic or aeroprofiles, special shapes can be supplied on request.



Dimensions in [mm]

Mandrel x =  $\varnothing 27.2$  mm

**Part no. 6314178**

Mandrel x =  $\varnothing 30.9$  mm

**Part no. 6314489**